

Sonic Safety

Sonic
Safety

**Wireless Safety and Security System
HG-1500 System**

For System Package

OWNER'S MANUAL

Table of Contents

Introduction (HG-1500)	3
System Package	3
Optional Accessories	3
Deployment of System	3
Planning for Installation	4
Choosing Location	4
Setting Alarm Zones	4
Installing the Back-up Battery	4
Power the Main Console	4
Connecting the Telephone Line	4
Setting the Antenna	5
Mounting the Main Console	5
About Password	5
Others	5
About the main Console operation	6
LCD Panel illustration.	6
Terminal Block Function illustration	7
Function for Installer-Factory Default Password	8
Function for Master-Factory Default Password	13
Check Function	14
Panic Alert Function	15
Arm or Disarm via the Telephone Line	15
Two-Way Voice Communication	16
Chime Function for Door Sensor... ..	16
LCD "MSG" Message Indicating on LCD	16
Setting the Alarm Sound ON/OFF	17
Reset the System	17
HG-120 PIR Motion Detector	17
HG-122/HG-123 Door/Window Detector	21
SR-119 Remote Control Handset	25
SS-207 External Siren and Strobe Light	26
LCD display on the Main Console for wire sensors message	27
Specifications of HG-1500 System	28
Summary of HG-1500 Programmed	29
Summary of Sensor and Zones Setting	30
Encl. LCD Display - 'Master' Setting Structure	
LCD Display - 'Installer' Setting Structure	
LCD Display - 'Check' Setting Structure	

Important Safety Instruction

WARNING: TO REDUCE THE RISK OF FIRE OR ELECTRIC SHOCK, DO NOT EXPOSE THIS APPLIANCE OR POWER ADAPTER TO WATER OR MOISTURE

- ?? **Read Instructions** – All the safety and operating instructions should be read before operating this equipment. These instructions should be retained for future reference
- ?? **Heed Warnings** – All warnings on the equipment and in the operating instructions should be adhered to. All instructions regarding care and operation of this equipment should be followed.
- ?? **Power Sources** – Equipment should only be connected to the power supply specified in the operating instructions or as marked on the equipment.
- ?? **Grounding or Polarization** – Take precautions that the equipment is properly grounded. Take note that the power supply is fitted in the correct input jack (marked DC 12V), and auxiliary units (external siren and strobe light) are fitted into the correct external jack points.
- ?? **Power-Cord Protection** – Keep cable cords and plugs clear of other objects, particularly at the point where they exit the equipment.
- ?? **Cleaning** – Clean the equipment by wiping with a soft cloth, (do not use any abrasive agents or water).
- ?? **Non-use Periods** – Power cords should be unplugged from the outlet when left unused for a long period of time.
- ?? **Object and Liquid Entry** – Take care not to drop objects or liquids on any part of the equipment.
- ?? **Damage Requiring Service** – The alarm should be serviced by a qualified service personnel when:
 - The power-supply cord or the plug has been damaged, or
 - Objects have fallen, or liquid has been spilled onto the equipment, or
 - The equipment has been exposed to rain, or
 - The equipment does not appear to operate normally or exhibits a marked change in performance, or
 - The equipment has been dropped, and/or the enclosure has been damaged.
- ?? **Servicing** – Do not attempt to service the appliance beyond that described in the operating instructions. All other servicing should be referred to a Qualified Distributor' s Service Personnel.
- ?? **System Maintenance** – Under normal use your system requires virtually no maintenance other than regular testing. It is recommended that you test your system once a week.

IMPORTANT NOTE: IF YOU RETURN TO YOUR PREMISES AND FIND THAT THE ALARM IS IN PROGRESS, DO NOT ENTER, AS A FIRE OR AN INTRUDER MAY BE PRESENT. GO TO A NEIGHBOR AND CONTACT THE RELEVANT LOCAL AUTHORITIES FROM THERE.

Introduction

Thank you for choosing the Sonic Safety wireless security system. The HG-1500 system is a high-quality, reliable and versatile security system. This system provides both two-way voice communication and built in Auto-dialer function. To ensure the best performance of your system, please read this manual thoroughly and follow the precautions and instructions presented. These systems are designed to be simple and easy to install and maintain.

- Wireless easy to use** : No messy and expensive wiring is required to install the system.
- Expandability** : You can add different accessories to the system to create a more complex system as your future needs may require.
- Flexibility** : You can choose the kinds of sensors and response actions for the system.
- Personalized** : Program the system to notify whoever you choose in the case of alarm activation.

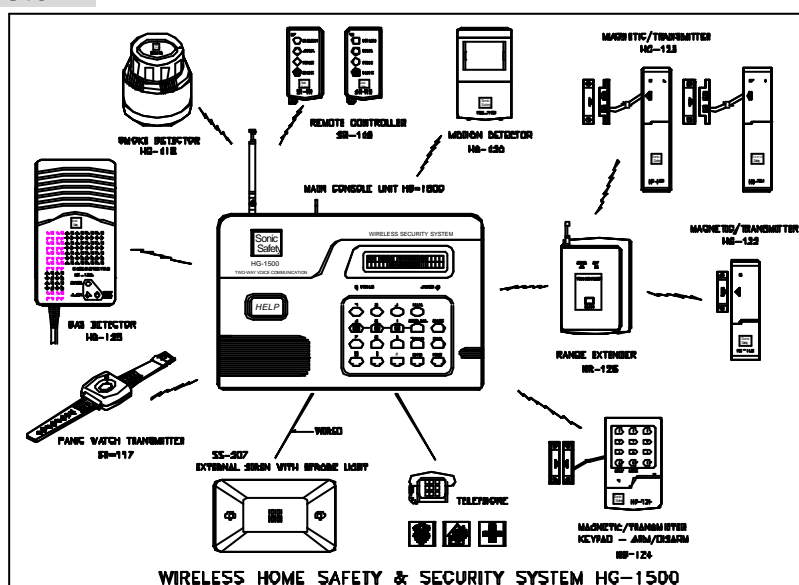
System Package

HG-1500	X 1	Main Console, phone cord and 12V adapter
SR-119	X 1	Remote Control
HG-120	X 1	PIR Motion Detectors
HG-123	X 1	Door / Window Detector
SS-207	X 1	Wired siren w/ strobe light

Optional Accessories

SR-117	Panic Watch Transmitter	HR-126	Range Extender
HG-118	Smoke Detector	SS-206	Wired mini siren
HG-122	Door/Window Detector	8KR700	Rechargeable battery (HG-1500)
HG-124	Door Keypad	8KR180	Rechargeable battery (HR-126)
HG-125	Gas Detector		

Deployment of System



Planning for Installation

The HG-1500 system is designed to be as flexible as possible in order to meet your present needs, and also to adapt as your needs change. For this reason, we recommend that you read the following information and plan your system before installing devices.

Choosing Location

It is important to try and place the Main Console in a central area. This way it can let all the sensors transmit signals with maximum efficiency. In addition, the Main Console must be placed near a power outlet and telephone outlet.

Setting Alarm Zones

Before installation, you should have the sensors learnt into Main Console via system learning mode of the Main Console. This system allows you to install maximum 63 wireless sensors and 3 wired sensors.

Installing the Back-up Battery

Remove the battery cover of the Main Console and install the backup battery which will power the system for up to eight hours should power be cut.

Powering the Main Console

1. Attach the end of the adapter into the connector provided at the back inside of the console.
2. Locate the AC adapter, plug the AC adaptor to power outlet.
3. Shown as the LCD screen while power on.



Connecting the Telephone Line

To connect the Main Console to the telephone line, Please follow these steps:

1. Locate the two phone jacks on the back inside of the main console. These phone jacks are marked " Phone " and " Line ".
2. Connect one end of the telephone cord that came with the system into the connector labeled Line. Connect the other end of that cord into the wall jack.
3. Connect a telephone to the Main Console through the phone jack.
4. Set the back cover and fix it securely. (Before setting the back cover, you need to finish the Battery and AC Adaptor installation)

Setting the Antenna

Carefully extend the antenna upward in order to maximize the range of communication between sensors and the Main console.

Mounting the Main Console

The Main Console may be set on a table top, or mounted on a wall. To mount the console on a wall, follow these steps.

1. Remove the two black rubber pads and store them away for future use.
2. Measure and fix screws into the wall so that the two screws fit into grooves left under removed pads.
3. Connect all wire connection to the jacks on the back inside. and replace to back cover.
4. Set the console onto the screws and carefully allow the console to drop into the groove securely from inside.

About Passwords

This system provides two sets of password for setting the system. A "Install" B "Master"

- A "Install" : You can use this password to set the system, such as telephone numbers or record message...etc
- B "Master" : This password is used for setting " Arm"(Arm away or Arm home) or "Disarm" the system.

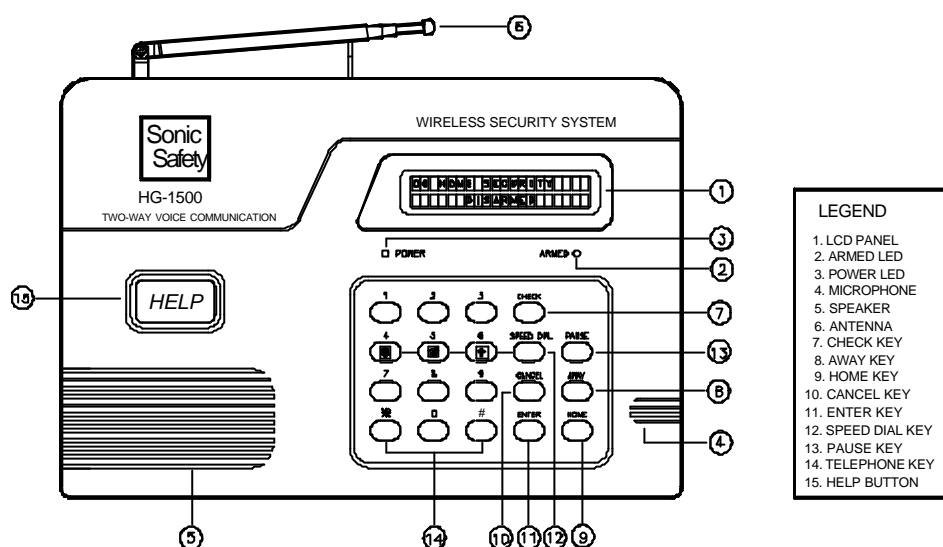
Others

We recommend that you install and program the console after installing the other components (sensors) of the system. This is to ensure that all of the components are working together properly.

About the Main Console Operation

The Main Console is the heart of the security system. It monitors the sensors and the responds according to how it is programmed, whenever the sensor is activated. The controls shown on the Main Console may look complex at the first sight, however, most procedures are straightforward and easy. Please review the illustration below which labels all of the parts of the Main Console.

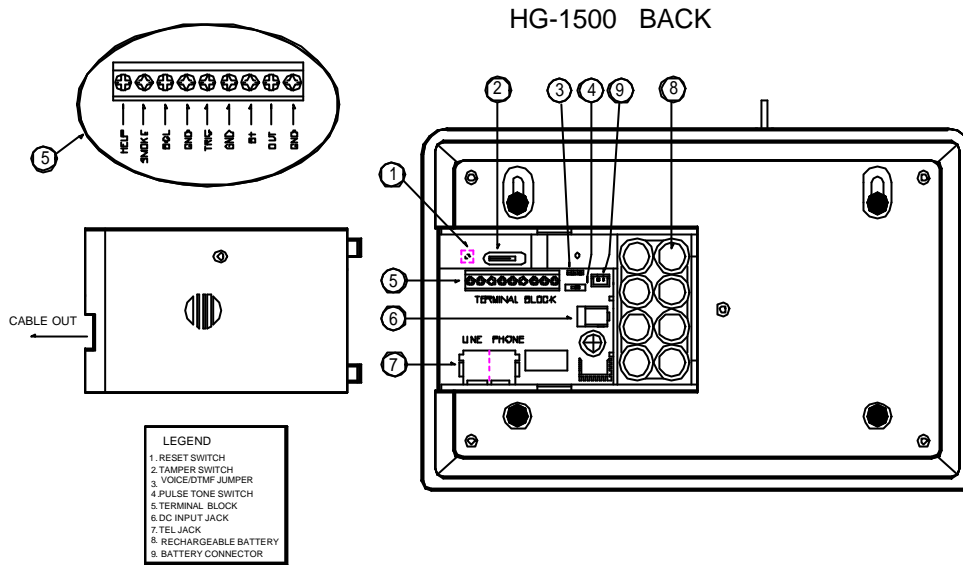
LCD Panel Illustration



- | | |
|------------------------------------------------------------------------------------------------------------------------------------------------------------------------------------------------------------------------------------------------------------------------------------------------------------------------------------------------------------------------------------------------------------|---------------------------------------------------------------------------------------------------------------------------------------------------------------------------------------------------------------------------------------------------------------------------------------------------------------------------------------------------------------------------------------------------------------------------------------------------------------------------------------------------------------------------------------------------------------------------------------------------------------------------------------------------------------------------------------------------------------------------------------------------------------------------------------------------------------------------------------------------------------------------------------------------------------------------------------------------------------------------------------------------------------------------------------------------------------------------------------------------------------------------------------------------------------------------------------------------------------------------------------------------------------------------------------------------------------------|
| <p>1. LCD panel</p> <p>2. Armed LED</p> <p>3. Power LED</p> <p>4. Microphone</p> <p>5. Speaker</p> <p>6. Antenna</p> <p>7. Check</p> <p>8. Away</p> <p>9. Home</p> <p>10. Cancel</p> <p>11. Enter</p> <p>12. Speed Dial</p> <p>13. Pause</p> <p>14. Numeric keys and #,* keys</p> <p>15. Help</p> | <p>: Shows the messages and/or status of setting and operating.</p> <p>: When the light ' on' , system is armed; the light ' off' , system is disarmed.</p> <p>: Indicates the AC Adaptor power is on or off.</p> <p>: To record the messages and use for two way communication voice input.</p> <p>: Sounds alarm and plays back messages, door chime.</p> <p>: Leave extended to enable maximum range of communication between the sensors and the Main Console unit</p> <p>: Press CHECK button to review sensor setting and check recording message.</p> <p>: Key-in the " Master" code then press AWAY button to arm at away mode</p> <p>: Key-in the " Master" code then press HOME button to arm at home mode</p> <p>: Press CANCEL button to go back to previous menu or deleted MSG.</p> <p>: Press ENTER to confirm program entry.</p> <p>: Press SPEED DIAL button together with 4 , 5 or 6 to activate 3-emergency dialing.</p> <p>: Press PAUSE button to turn on/off the chime function in disarm status. or use in extension number ex. 4949123P123, P indicate to pause 2 seconds.</p> <p>: For telephone setting included pound and star keys.</p> <p>: One-touch button to trigger the system for emergency help</p> |
|------------------------------------------------------------------------------------------------------------------------------------------------------------------------------------------------------------------------------------------------------------------------------------------------------------------------------------------------------------------------------------------------------------|---------------------------------------------------------------------------------------------------------------------------------------------------------------------------------------------------------------------------------------------------------------------------------------------------------------------------------------------------------------------------------------------------------------------------------------------------------------------------------------------------------------------------------------------------------------------------------------------------------------------------------------------------------------------------------------------------------------------------------------------------------------------------------------------------------------------------------------------------------------------------------------------------------------------------------------------------------------------------------------------------------------------------------------------------------------------------------------------------------------------------------------------------------------------------------------------------------------------------------------------------------------------------------------------------------------------|

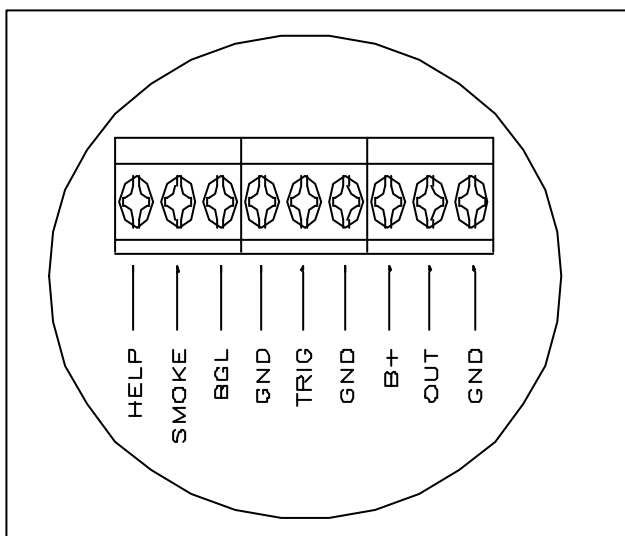
Install the Main Console

Terminal Block Function Illustration



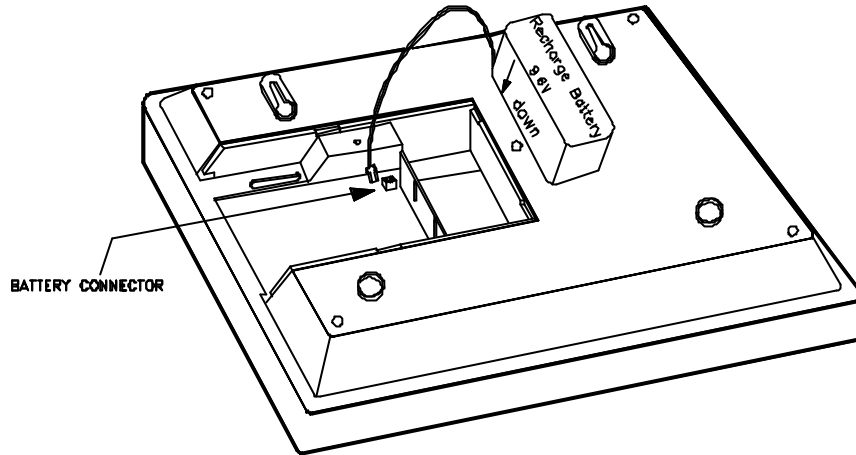
1. **Reset button** : Press reset button to back to factory defaults
2. **Tamper** : Open the tamper Button. It will trigger alarm and dialing out the preset phone No.
3. **Voice/Surveillance center** : Normal voice or Surveillance center use
4. **Pulse/Tone** : Pulse or Tone selectable
5. **Input/Output** : External device. Ex, wired sensor, external siren or NC contact
6. **DC supply inlet** : AC Adaptor DC input
7. **Telephone Socket** : Connect to telephone line input
8. **Rechargeable Battery** : Use 8KR-700 rechargeable battery
9. **Rechargeable Battery Socket** : Rechargeable battery input (please note the polarity of Battery)

Terminal Block Function Illustration



- HELP** : To connect with the wired sensor for medical purpose.
- SMOKE** : To connect with the wired sensor for fire purpose.
- BGL** : To connect with the wired sensor for burglary / police office purpose.
- GND** : To connect with the ground for wired sensor.
- TRIG** : NC connect point.
- GND** : GND
- B+** : DC 12V for external device.
- OUT** : To connect with the external wired siren.
- GND** : For DC12V and external wired siren

Place the rechargeable battery to the proper position



Function for Installer – Factory Default Password :123456

1. Enter password to start the menu. LCD shown as below (Enter the password and do the function setting according to your needs)

Code : *****

**Pass
Install Mode**

- ~~⚡~~ Incorrect password entered will show “ Access Denied” and will emit beep sound warning.

Access Denied

- ~~⚡~~ If 3 incorrect passwords are entered, keyboard disabled and locked (LCD shown as below). Try it again after one minute idle or use Remote Control Handset (SR-119 **DISARM** button) to disarm the system.

**HOME SECURITY
KEYBOARD LOCKED**

- ~~⚡~~ If 9 incorrect passwords entered, (has 3 times keyboard locked, system disabled and locked, LCD shown as below). It will trigger alarm but won't dial out phone numbers. You can use Remote Control Handset (SR-119 **DISARM** button) to disarm the system.

System Lock

2. If the password is correct (default 123456), It will beep and LCD panel shows as below.

**Learning : 0 – SET
1 – SEQUE 2 – OVR 3 - CLR**

3. Select the Number setting (Remember to press **Cancel** after each task)

0 -SET Function menu : Press 0 to start setting

Setting : 0 - T 1 2 3 4 5 6 - P
7 - MSG 8 - DIAL 9 - CODE

(1) **0-T** : For time setting (Default is 30 seconds.) minimum 1 second, maximum 255 seconds.

Press **0** button, will go to time setting (exit, alarm, entry) time

Setting : Time 1 - Exit
2 - Alarm 3 - Entry

Press **1** button, setting delay time for exiting house.

Setting : Time
1 - Exit : 30 Sec

Press **2** button, setting alarm time for triggering alarm

Setting : Time
2 - Alarm : 30 Sec

Press **3** button, setting delay time for entering house

Setting : Time
3 - Entry : 30 Sec

(2) **123456-P Numeric key** : To set telephone number (can set 6 sets phone number and each number up to 20 digits)

Setting : Phone Num : 1

Setting **1** , **2** or **3** : For neighbors, relative friends and family members to notify in case of emergencies.

Setting **4** : The first priority dial in case of Burglary.

Setting **5** : The first priority dial in case of Fire.

Setting **6** : The first priority dial in case of Medical help.

(3) 7- MSG : To set recorded message which contains 4 segments of different recorded messages and each segment is maximum to 15 seconds. If the recorded message is less than 15 Secs, press **ENTER** to end the recorded message. When alarm is triggered, it will play one of the first 3 segments depending on what sensor designated and next together with Msg 4 recording. ex. (Msg 1, Msg 4) or (Msg 2, Msg 4) or (Msg 3, Msg 4) responding to the emergency.

- Msg 1 : Record message for Burglary help while pressing 1, it will automatically count down from 15 and start recording the message.
- Msg 2 : Record message for Fire help
- Msg 3 : Record message for emergency (medical) help
- Msg 4 : Record message for name, address and telephone numbers...etc. (this is common message)

Press **7** and in the message recording menu, (It contains 4 segments can be recorded)

<p>Setting : Message Rec Sel Msg : 1 2 3 4</p>

Press **1** to start first segment message recording (it will automatically count down from 15 Sec)

<p>Setting : Message Rec Sel Msg : 1 15 Sec</p>

When finished recording message, it will automatically playback recorded Message one time and LCD panel shown as below.

<p>Setting : Message Play Sel Msg : 1 15 Sec</p>

(4) 8 - DIAL : To set Dial mode. (default is 2-ALL to dial all telephone sets)

<p>Setting : Dialer Mode 1 – Single 2 – All 2</p>

Press **1** for single attempt dial. (if one of the telephone set is acceptable, it will stop to dial next telephone set)

<p>Setting : Dialer Mode 1 – Single 2 – All 1</p>

Press **2** for 3 cycles attempt dial.(it will be in turn to dial all the telephone set)

<p>Setting : Dialer Mode 1 – Single 2 – All 2</p>

(5) 9 – CODE : To change password. (factory defaults, Install code 1-123456, Master code 2-135246). If you want to change the password, key-in 6 digits and will automatically show "OK" (max set 6 digits), if the word is less than 6 digits, you can press **ENTER** after key-in the number and it will show "OK".

Setting : Change Code
1 – Install 2 – Master

Press **1** and in the change Install code menu.

Setting : Change code
1 – Install : 1 2 3 4 5 6

Press **2** and in the change Master code menu.

Setting : Change code
2 – Master : 1 3 5 2 4 6

1. SEQUE : "Sequent" for code learning to set zone location . First of all, all the sensors need to be learned into main console, and main console can receive the signal if the sensor is triggered.
 When sensor is learned into main console, main console will set the learning order for the sensor. This system allows to set Zone numbers maximum to 63 addresses.
 It is recommend that you use a pen on the sensor back label to mark the sensor location. You can also overlay or clear sensor for changing sensor.

In the learning menu,

Learning : 0 – SET
1 – SEQUE 2 – OVR 3 - CLR

Press **1** and into the learning Sequent Mode

Learning : Sequent
Trigger Sensor 01

(01 sensor learning order)

The method for sensors learning:

1. PIR Motion Detector (HG-120) :

First install Battery and push the Power Switch from OFF to C position. PIR sensor LED will light on for 1 Sec, it means that the sensor transmit 1 sec signal. Or you can move in the front of PIR, It will detect your movement and transmit 1 sec signal. The sensor will be learned into main console.

2. Door / Window Detector (HG-123/HG-122/HG-124) :

First to install Battery and let the magnetic switch from close to open, the led will light on for 1 Sec, The sensor will be learned into main console.

3. Remote Control handset (SR-119) :

First to install Battery and press **PANIC** button, the led will light on for 1 Sec, The sensor will be learned into main console.

4. Panic Watch (SR-117) :

First to install Battery and press **RED** button, the led will light on for 1 Sec, The sensor will be learned into main console.

5. Smoke Detector (HG-118) :

First to install Battery and press **S1** button, the led will light on for 1 Sec, The sensor will be learned into main console.

6. Gas Detector (HG-125) :

Plug the AC power and press the **TEST** button, the led will light on for 2 Sec, The sensor will be learned into main console.

7. When the sensor is learned into main console, It will show the message as below. At the time it will automatically switch to next sensor learning mode

**STORAGE SENSOR
IN MEMORY**

**Learning : Sequent
Trigger Sensor 02**

8. If the sensor has been learned in main console. Main console will show the sensor has been learned in memory and not allow same sensor to learn into main console.

**WARNING !!
Sensor in memory**

9. If sensors have learned and reach 63 zone numbers, LCD panel shows memory full message.

**Learning : Sequent
Memory Full 63**

NOTE :1. Sensors active for 24 hours include:

Smoke Detector (HG-118), Gas Detector (HG-125), Panic Watch (SR-117) Remote Control Handset (SR-119 PANIC button) and Main Console HELP button.

2. Distinguish **A-AWAY** and **H-HOME** mode:

When system is armed in **HOME** mode, Main Console will neglect the transmission signal from the PIR(HG-120).

2. OVR: To overlay the sensor. (when sensor is faulty and needs replacement replacement)

To replace the original sensor, only need to key-in sensor learned order number. Finish the number key-in and press **ENTER** , system will ask for relearning the Sensor, you can trigger the sensor and learn the sensor

into the main console.

Press **2** to go into overlay learning mode.

Learning :	OVER
Overlay	Num : xx

3. CLR : Clear Sensors (clear 1 - Single zone or 2 - All zones).

Select 1- Single, you can key-in learned sensor order code and press **ENTER** . It will clear the sensor. If select 2- All, It will clear all learned sensors.

Press **3** and go into clear mode.

Learning :	CLEAR
1 – Single	2 - All

Press **1** and key-in learned sensor order code then press **ENTER**, It will clear this sensor.

Learning :	CLEAR
1 – Single	Num: xx

Learning :	CLEAR
Clear OK	Num : xx

Press **2** , It will show the “Are you sure ?”. press **ENTER** It will clear all learned sensors.

Learning :	CLEAR
Are You Sure ?	Enter

Learning :	CLEAR
Waiting ...	

Learning :	CLEAR
Clear All	OK

Function for Master – Factory Default Password – 135246

1. To enter Master code – 135246, LCD display shown as below

Code :	*****
---------------	--------------

Pass	
Master Mode :	

✂✂ When the password is incorrect, It will introduce Beep ...Warning sound. LCD display shown as below.

Access Denied

✂✂ If the password is correct, It will introduce a long Beep sound. LCD display shown as below.

MASTER
A-AWAY H-HOME * -CODE

You can select the arm mode to set as below:

A - AWAY : Press **AWAY** button to set “ Armed - Away “ alert,
(Armed LED always lights on)

00	HOME	SECURITY
	Armed	AWAY

H-HOME : Press **HOME** button to set “ Armed - Home “ alert,
(Armed LED always blinks)

00	HOME	SECURITY
	Armed	HOME

*** - CODE** : The program will be designed for Central Monitoring use in future
The function is not available at the moment.

Check Function

To press **CHECK** button to check the memory data you have installed previously without any password, but you can only review not allow to change the data in ‘ Check’ Mode. Following with the menu structure as below.

Check : 0 – T 1 2 3 4 5 6 –P
7 – MSG 8 – DIAL * – CODE

Check :

- 0 – T** : To review (1- Exit) Exit time, (2-Alarm) Alarm time, (3- Entry) Entry time.
- 123456 – P** : To review phone number sets.
- 7 – MSG** : To review recorded message (Press number key will play back the recorded message).
- 8 – DIAL** : To review dial mode.
- * - CODE** : To review the setting for Central Monitoring. **(The program will be designed for Central Monitoring use in future, the function is not available at the moment).**

Panic Alert Function

☞ Press and hold **SPEED DIAL** button and assigned button, Main console will automatically execute the autodial and alarm, if you want to cancel the autodial and alarm when they are activated, Please key-in the Master password to cancel them..

☞ **SPEED DIAL** + **4** , the autodial order is: phone 4 → phone 1 → phone 2 → phone 3 (Intruder happened condition)

☞ **SPEED DIAL** + **5** , the autodial order is: phone 5 → phone 1 → phone 2 → phone 3 (Fire happened condition)

☞ **SPEED DIAL** + **6** , the autodial order is: phone 6 → phone 1 → phone 2 → phone 3 (Medical help happened condition)

Arm or Disarm Via the Telephone Line

This function allows you to dial your home telephone from outside to Arm or Disarm your security system. When you hear a long ' Beep' sound after 10 rings on the phone, then enter ' Master code' 135246 (default) if the password is correct, it will respond a long Beep sound then to respond to the system status at this moment (if the password is less than 6 digits, need to use # button to finish the password entry). One ' Beep' sound means in 'Armed-Away' , two ' Beep' sound means in ' Armed-Home' and three ' Beep' sound means in ' Disarm'. At this moment you can key-in (1, 2, 3 or 4). Main console will respond to the relative message.

Respond message as below:

☞ Press **1** means in ' Armed-Away' and you will hear one ' Beep' sound.

☞ Press **2** means in ' Armed-Home' and you will hear two 'Beep' sounds .

☞ Press **3** means in 'Disarm' and you will hear three 'Beep' sounds.

☞ Press **4** will switch to telephone communication mode.

☞ Press **0** will end the telephone communication.

☞ **If the system has been programmed in ' Armed-Away' or ' Armed-Home' status previously, you need to ' Disarm' it first to reset the status. If you do not disarm first, and press ' 1' or '2' directly, the system will emit ' bi-bi-bi' to reject your setting. So press '3' to disarm it.**

Two-Way Voice Communication

Operation method: Main console to remote party

✂✂ When the remote party receives the main console emergency help call, they will hear the recorded message (which is stored in main console). If you want to know what happened, press number **4** on the phone then you can communicate with occupants or threaten the intruder via Main Console. If you have finished the talking, press the **0** button to end the voice communication or automatically exit the voice communication after 5 minutes.

✂✂ When you use this function, main console will stop dialing other telephone numbers.

Chime Function for Door Sensor

When system is in disarm status, press the **PAUSE** button to turn on 'Chime' function. If the Door sensor (HG-124/HG-123/HG-122) is activating and Main Console unit will sound 'Ding - Dong', LCD shown as below. To press **PAUSE** button again to turn off 'Ding-Dong' function.

00	HOME	SECURITY
Chime	Disarmed	

Auto-dialer priority

This system stores up to six (6) telephone numbers in the Main Console. If it is triggered and alarm is activated, the auto-dialer will call the pre-set telephone numbers and play your pre-recorded message.

If system is triggered

Burglary help - It will automatically dial phone 4 → phone 1 → phone 2 → phone 3, call sequentially by 3 cycles attempt (4, 1, 2, 3). When telephone answered, it will playback message 1 and 4 by 2 times (1, 4)

Fire help - It will automatically dial phone 5 → phone 1 → phone 2 → phone 3, call sequentially by 3 cycles attempt (5, 1, 2, 3). When telephone answered, it will playback message 2 and 4 by 2 times (2, 4)

Medical help - It will automatically dial phone 6 → phone 1 → phone 2 → phone 3, call sequentially by 3 cycles attempt (6, 1, 2, 3). When telephone answered, it will playback message 3 and 4 by 2 times (3, 4)

LCD "MSG" : Message indicating on LCD

This system will leave warning message on LCD panel if sensors opened or triggered or have low battery. It also emits 3 short 'Beep' at every 10 Sec. to remind you in the meantime, It can be stored first 5 messages and displayed on the LCD. If you want to check or delete the MSG, the system need to be in disarm mode. LCD display shown as below.

00	HOME	SECURITY
	Disarmed	MSG

Press **ENTER** button to read the message. Press **ENTER** again will read next message...etc.

63 DOOR SENSOR
01 Open

When Backup Battery is in battery low condition

HG-1500
Backup Bat Low

Press **CANCEL** button to delete all 'MSG'. It will show as below.

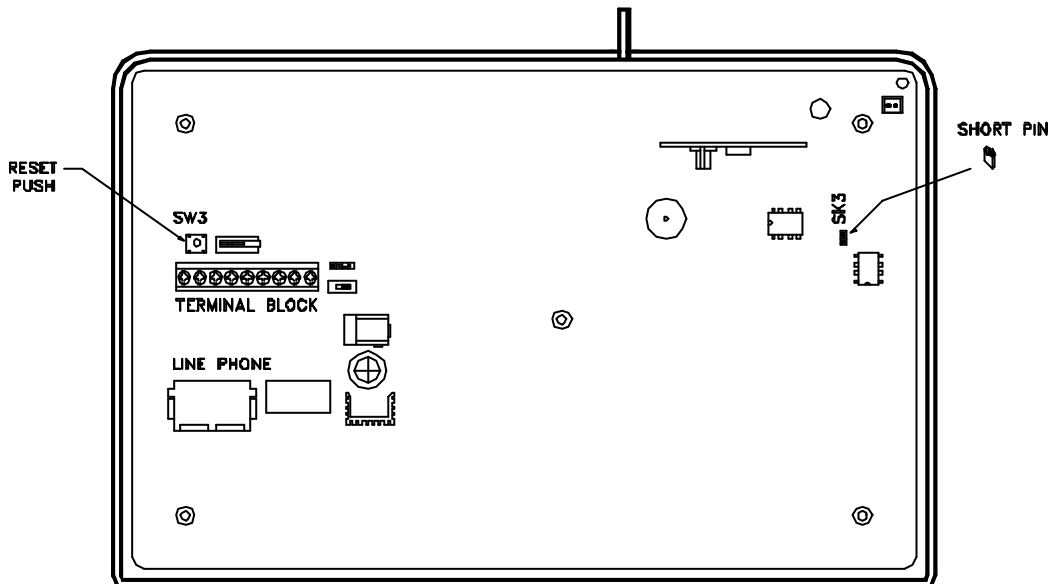
MESSAGE DELETED

Setting the Alarm Sound ON/OFF

To turn ON/OFF alarm sound, it depends on what you need. The alarm function defaults is ON.

1. Please remove main console back cover and find the position SK3 on the PCB of main console. Refer to following picture.
2. Add short pin (black) on the SK3 position, It can turn off the alarm sound when main console is activated.

The reversed side of Main console



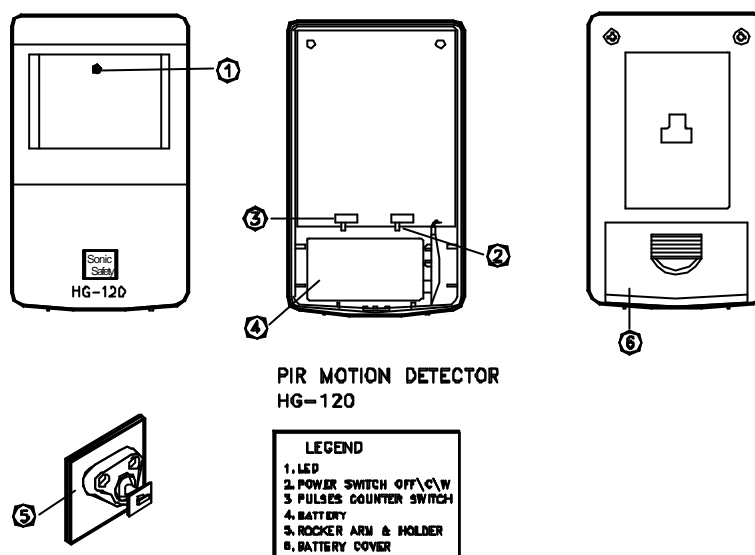
Reset the System (Refer to above picture)

You can press the **SW3** reset button to let password (Install, Master)and timer(exit, alarm, entry time) go back to defaults.

HG-120 PIR Motion Detector

The PIR Motion Detector is designed to detect the movement of object in rooms or hallway. The effective range of the motion sensor is 10 metres, and with an 84 degree horizontal angle.

Before using the sensor, the sensor needs to be learned into main console. If main console is armed in HOME mode. Even if PIR Triggered, the main console will ignore the PIR signal.



Main Features :

- 1. LED :** When PIR has detected any human movement. The red LED will blink for one sec. It will transmit out a signal to Main Console..
When the battery power is down to low level, It will send out a low voltage signal. The red LED will blink for one sec. If Main Console receive the signal, it will leave a message on the display.
- 2. C/OFF/W SWITCH :**
 - ✍ When the switch is set on “C – Continue” position, the PIR continually detects at intervals every 3 to 5 seconds after detecting the movement of human (dog ,cat).
 - ✍ When the switch is set on “ OFF” position, It will turn off the power, the PIR does not detect at all.
 - ✍ When the switch is set on “W- Wait” position, the PIR detects at every 2 to 3 minutes after detecting the movement of human (dog, cat). “ W ” position set mode will save the power.
- 3. DETECTING SENSITIVITY :** (1 , 2 , 4) select the sensor to high , medium or low sensitivity.
- 4. BATTERY :** Remove the Battery cover and insert one 9V alkaline battery.
- 5. ARM & HOLDER :** For mounting on the wall.
- 5. BATTERY COVER**

Replace the Battery

- ✍ When the sensor sends low battery voltage signal to main console. Please replace a new battery for the sensor. In the main console, the LCD display shown the message as below

63	PIR	SENSOR
	01	Low battery

Zone Address Setting

Enter the Installer password and the main console is in learning mode, after installing the battery on the PIR. Set the power switch from “ OFF ” to “ C ” position. In the PIR panel, The red LED will blink for 1 sec, It means to transmit out a signal for 1 sec or to activate PIR sensor by detecting people pass by, then the Main Console emits one ‘ Beep’ and LCD displays ‘ In Memory’ , it means the PIR has learned into the system successfully.

When main console is in armed mode, If PIR detects the movement of human or animals (cat, dog), it will leave message on the LCD display as below.

63	PIR	SENSOR
	01	Zone

Notes on the Position when Install

Motion sensors detect the movement of humans and animals within their range. In order to prevent false alarms, we recommend that you do not install any motion sensor in the following areas:

Do not install any motion sensor in the following areas:

- ~~✍~~ Where there is a device that causes rapid temperature change or rapid heat transfer. for instance, near an air conditioner, fire place, heater or other intermittent heat sources.
- ~~✍~~ Where the sensor will be exposed to direct sunlight.
- ~~✍~~ Near large electrical devices and/or high output radio frequency sources, like the refrigerator, microwaves computers, and light dimmers.
- ~~✍~~ Where the effective range of the sensor is covered or blocked by furniture.
- ~~✍~~ Where pets enter and exit freely, for instance - a cat or dog door.
- ~~✍~~ Directly opposite any large object with flat reflecting properties, like large windows or mirrors.
- ~~✍~~ In a bathroom or other area that is exposed to moisture and extreme temperature change.

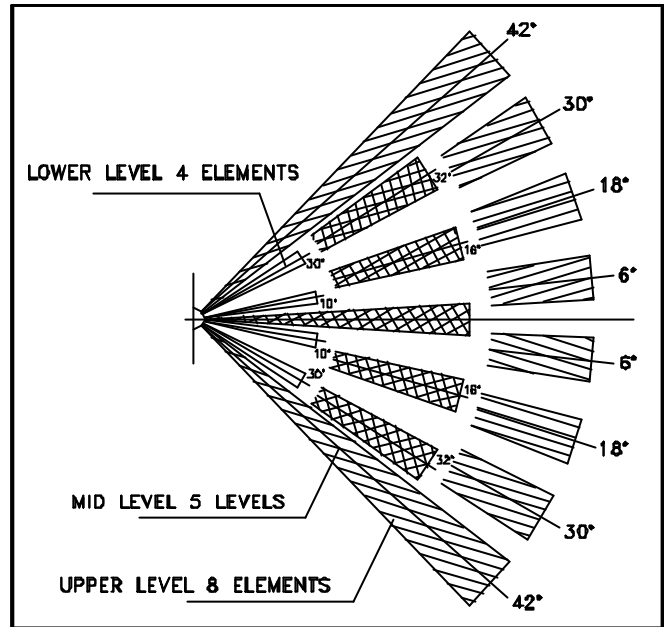
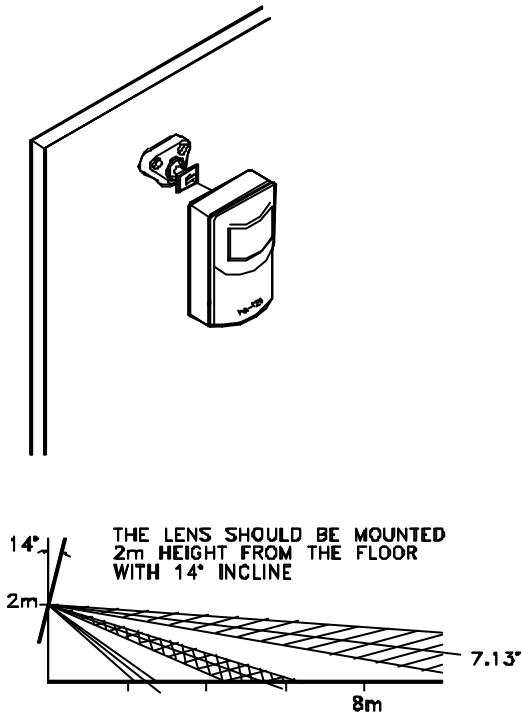
Installing the Motion Sensor

Before installing the sensor, consider the following points:

- ~~✍~~ Mount the sensor at two meters (6-1/2’) high for best coverage.
- ~~✍~~ Mount the sensor with a 14 degree downward incline against the wall for optimum range.

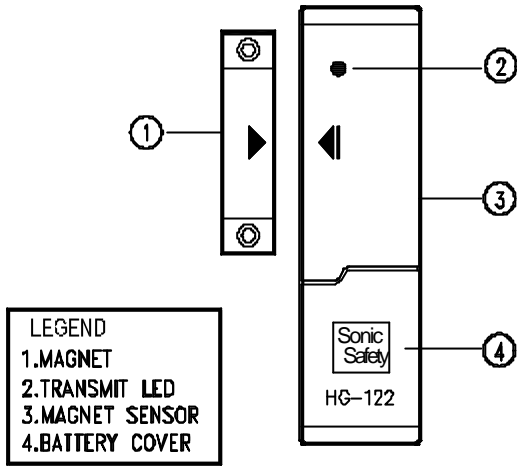
To install the Motion Sensor, please follow these steps:

- ✂✂ Take out the screws or double sided adhesive and install the mounting bracket on the wall. press the ball joint portion into the bracket until it snaps securely. (To secure the mounting bracket to the wall at 2 meters above the floor).
- ✂✂ Put the PIR on the mounting bracket.
- ✂✂ Test the sensor by walking within its range. When the sensor is triggered, the red LED light will flash once for 1 sec..



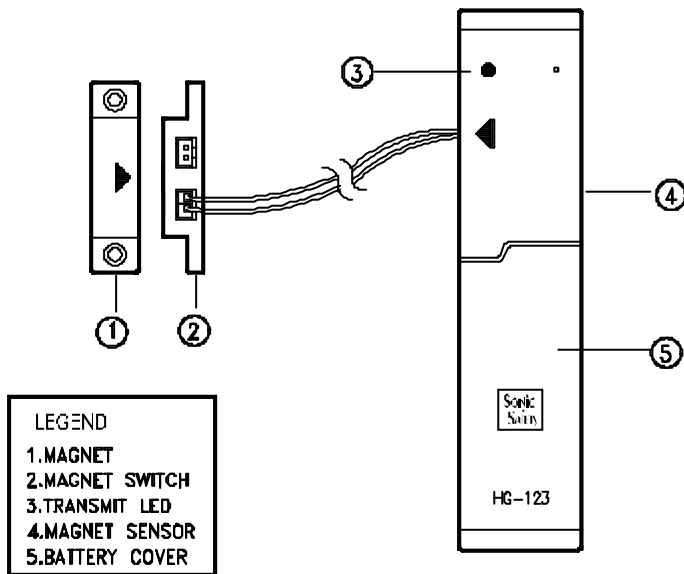
HG-122/123 Door/Window Detector

The magnetic Door/Window detector is a contact sensor applied on door or window. When the magnetic contact is opened (broken) or the battery low, the sensor will send out a signal to main console. The message from the triggered sensor can be read from the Main Console' s LCD display.



HG-122 Button Function:

1. Magnet
2. Transmit LED :
When the sensor is activated, LED will light for 1 sec.
3. Magnet Sensor
4. Battery Cover :
Remove the cover and put one 12V alkaline battery here.



HG-123 Button Function:

1. Magnet
2. Magnetic Switch
3. Transmit LED :
When the sensor is activated LED will light for 1 sec.
4. Magnet Sensor
5. Battery Cover :
Remove the cover then put one 9V alkaline battery here.

Note: Magnet and magnetic switch need to be placed in a parallel position (triangle arrow)

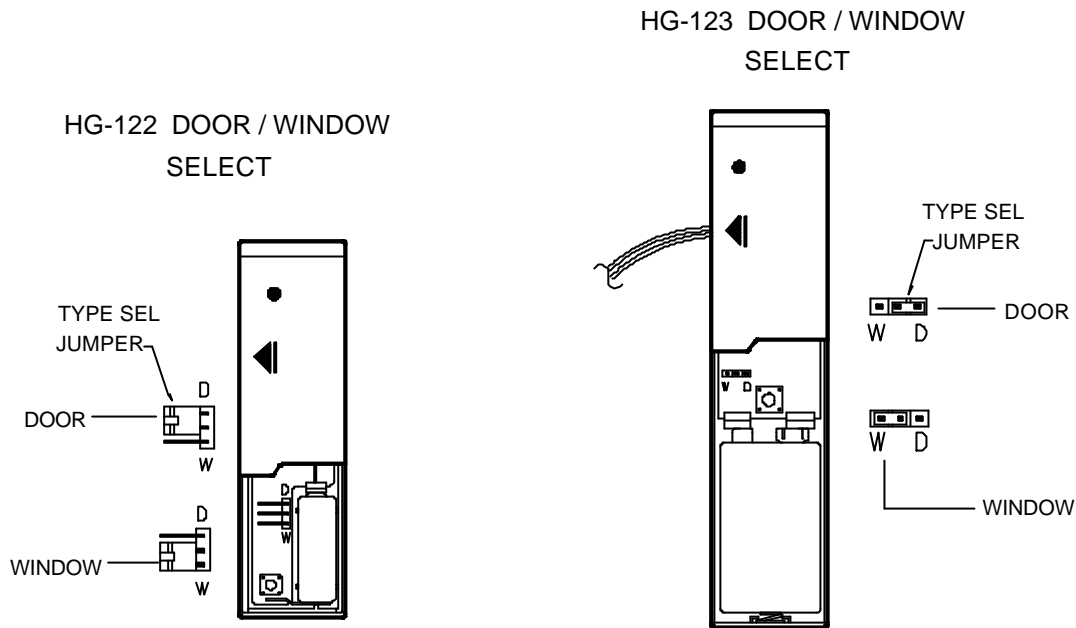
Change the Battery

When the sensor sends a low battery signal to main console, replace a new battery in the sensor, in the meantime the LCD display shown the low battery message as below.

63	WINDOW	SENSOR
	01	Low battery

Zone address setting

You can set the sensor (HG-122/HG-123) as “ Door “ or “ Window “ detector by using the jumper selector. If you want to set the sensor as Door sensor, put the Jumper on side marked “D”. (If Jumper set on side marked “W”, the sensor becomes a Window sensor).



Notes on the Door/Window Detector

1. The LED on the sensor will flash once when the sensor is triggered.
2. There cannot be a gap greater than (6 mm) between the magnet sensor and the magnet, otherwise, the sensor will not work properly.

Enter the installer password and put main console in learning mode. Take magnet away from magnetic sensor, it will trigger, the sensor and LED will light on for 1 sec. the Main Console emits one ‘ Beep’ and LCD displays ‘ In Memory’ , it means sensor is learned into the system successfully.

LCD display on the Main Console for HG-122/123

When system is in armed mode. (message shown on main console)

~~☞~~ Window opened

Door opened

63	WINDOW	SENSOR
	01	Open

63	DOOR	SENSOR
	01	Open

When system is in disarm mode. (message shown on main console)

~~☞~~ Window closed

63	WINDOW	SENSOR
	01	Close

 Window battery cover opened

Door battery cover opened

63	WINDOW	SENSOR
01	Tamper	

63	DOOR	SENSOR
01	Tamper	

Installing the Door/Window Detector

Installing for HG-122:

To install a Door/Window Detector, follow these steps:

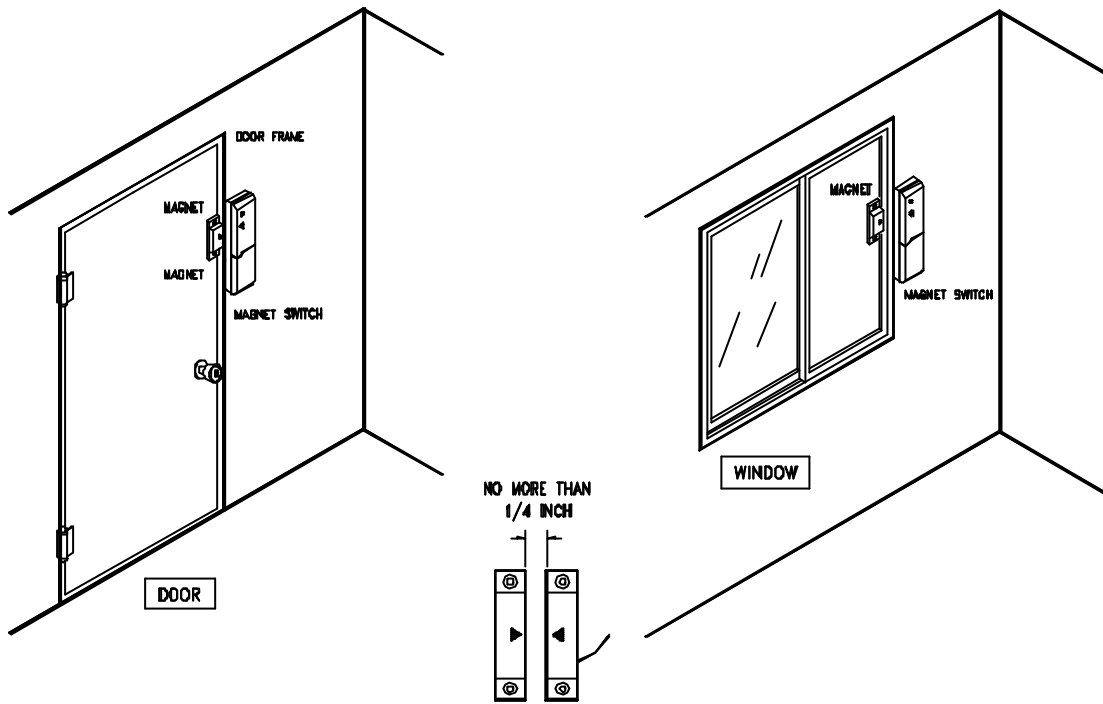
1. Before installing the sensor, ensure the sensor has been learned in main console successfully
2. Apply double sided adhesive tape to the back of the sensor.
3. Find the arrow embossed on the sensor, just below the LED light. Find a similar arrow on the magnet. Before exposing the adhesive backing, align the two arrows on the surface where you want them installed. Check that both parts of the device fit and that they can be mounted with a gap less than 1/4 inch between them.(refer to below picture).
4. When the above procedure finished, please reconfirm the setting is correct or not, in main console. Press the CHECK button then open the window. The main console will receive the sensor signal and leave some messages on LCD display.

Installing for HG-123:

To install a Door/Window Detector, follow these steps:

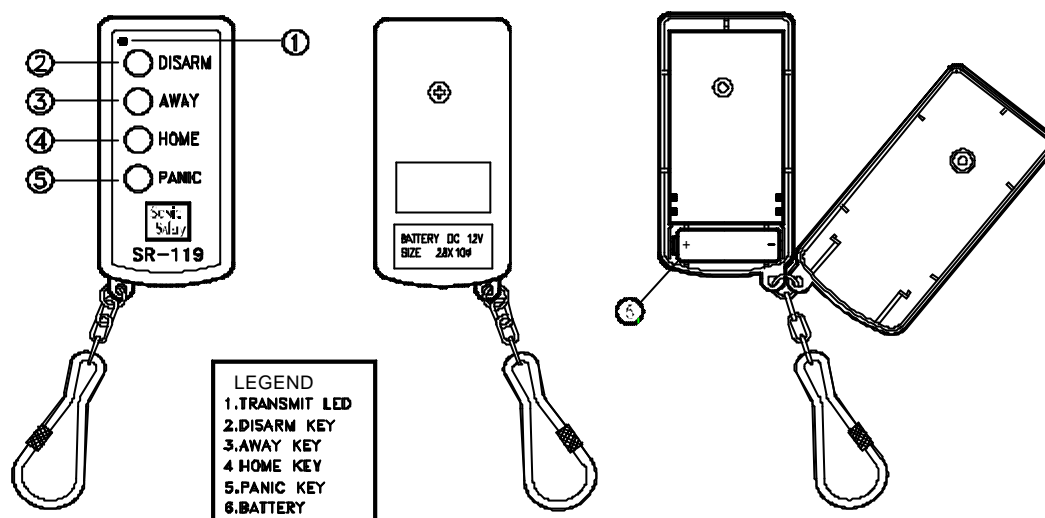
1. Before installing the sensor, ensure the sensor has been learned in main console successfully
2. You can select the double sided adhesive tape or screws to install the sensor.
3. If you use the double sided adhesive tape to install the sensor, please refer to HG-122 installing process 2- 4 to set the sensor.
4. If you use the insert and screws to install the sensor, please follow the step
Please use the fix sticker on the wall and drill two holes to install the insert and screws
5. Use HG-123 back cover with two holes to put on the screws.
6. Set the magnet near the door/window frame. Find the arrow embossed on the sensor, just below the LED light. Find a similar arrow on the magnet. Before exposing the adhesive backing, align the two arrows on the surface where you want them installed. Check that both parts of the device fit and that they can be mounted with a gap less than 6mm between them.(refer to below picture)
7. When the above procedure finished, please reconfirm the setting is correct or not, in main console, Press the CHECK button then open the window. The main console will receive the sensor signal and leave some messages on LCD display.

INSTALLING POSITION REFERENCE FOR HG-122/HG-123



SR-119 Remote Control

The key chain Remote Control is a convenient way to arm (Home / Away mode) or disarm this system. Before using the sensor, it is necessary to learn into main console.



1. TRANSMIT LED : When any button pressed on remote, LED will light
2. DISARM : Press this button to disarm the system or clear message
3. AWAY : Press this button to set the system in AWAY mode
4. HOME : Press this button to set the system in HOME mode
5. PANIC : Press this button will trigger the alarm and activate auto-dialing.
6. BATTERY COMPARTMENT : For 12V alkaline battery

Zone Address Setting

Enter the Installer code and press ' 1 ' to start learning sensor into the system, to press **PANIC** button for 1 sec, the red LED also light on 1 sec. the main console emits a long 'Beep', LCD panel shows ' Sensor in Memory ' . SR-119 has been setting successfully.

To Arm or Disarm with the Remote Control Handset

~~☞~~ When system is set in AWAY mode.

63	REMOTE	SENSOR
	Armed	AWAY

~~☞~~ When system is set in HOME mode.

63	REMOTE	SENSOR
	Armed	HOME

~~☞~~ Press the **PANIC** button, immediately to trigger the alarm.

63	REMOTE	SENSOR
	01	Panic

External Siren and Strobe Light

The system can operate an external siren and strobe light is an optional accessory. The device is an important deterrent to intruders. When the siren is installed and the system is set to Arm, it will emit a piercing 115 decibel siren when any sensor is triggered. The console can power the siren and light as long as they remain under 500mA otherwise another power source is required.

Installing the device

Choose a location outside your home where the siren and light will be plainly visible and can be heard outside the house. A good spot is under the eave, visible from the street and hard to reach.

1. Connect the wire to the main console terminal block (Marked as OUT, GND point).
2. The red wire (+) connected to OUT and the black color wire (-) connected to GND.

.

LCD display on the Main Console for wire sensors message

Connect the wire sensor to Terminal (HELP , SMOKE , BGL) and GND. Refer to page 7. If the wire sensors triggered, you can check the message on the LCD display. Once wire sensor triggered, the message shown as below

~~✂~~ Wire sensor help triggered.

<p>HG - 1500 Wire Help</p>

~~✂~~ Wire sensor smoke triggered.

<p>HG - 1500 Wire Smoke</p>

~~✂~~ Wire sensor Burglary triggered.

<p>HG - 1500 Wire Burglary</p>

Note : Wire BLG sensor needs to be triggered in system Armed mode, But wire HELP and SMOKE can be triggered in Arm or Disarm mode.

Specifications of HG-1500 System

Items	Specifications
Frequency	- 303 / 433Mhz
Power Source	- 240V DC12V 1000mA adapter
Power Consumption	- 70mA (idle), 300mA (activated)
Wired Input Trigger	- Burglary : NC (normal close) /1 - Smoke : NC (normal close) /1 - Help : NC (normal close) /1
Wired Output Trigger	- No output voltage: NC(normal close) /1 (DC 5V, 100mA)
Impedance	- 200 ms up, 300 O below
Back-up Battery (Optional)	- Approximate 8 hours (NO AC adaptor)
Temperature Range	- 5° C +50° C
RF Range	- 50 Metres in open space
Security Code	- Hopping code
Alarm Activation Time	- 1 255 seconds (available alarm time setting)
Dialing Type	- Pulse/ Tone selectable
Voice Message Playing Time	- Total 30 seconds, Each voice message is 15 seconds
Preset Telephone Numbers	- 6 phone numbers, 20 digits for each number
Material	- ABS
Weight	- 850 g
Dimensions	- 26 cm X 17 cm X 6 cm

Summary of HG-1500 Programmed

Use the following form to record your programming choices for future reference.

Item	Descriptions			
Install Code				
Master Code				
Exit Time				
Alarm Time				
Entry Time				
Auto-dialing Mode				
Sensor No. of Learning				
Preset Telephone No. for Auto-dialing :				
No. 1	Name		Tel. No.	
No. 2	Name		Tel. No.	
No. 3	Name		Tel. No.	
No. 4 (Burglary Emergency)	Name		Tel. No.	
No. 5 (Fire Emergency)	Name		Tel. No.	
No. 6 (Help Emergency)	Name		Tel. No.	

Summary of Sensors and Zones Setting

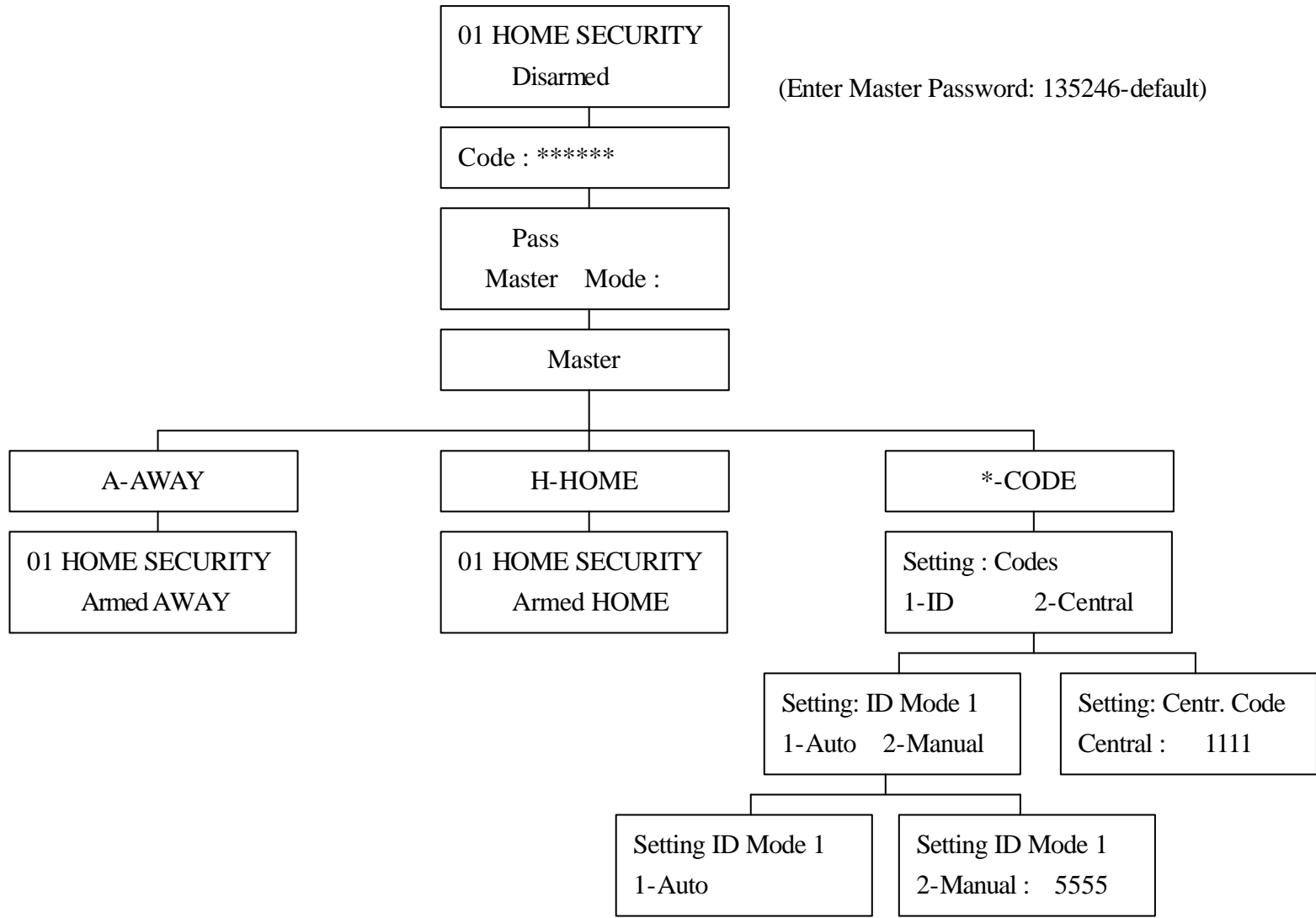
Use the following form to record the setting details of sensors for future reference.

For example:

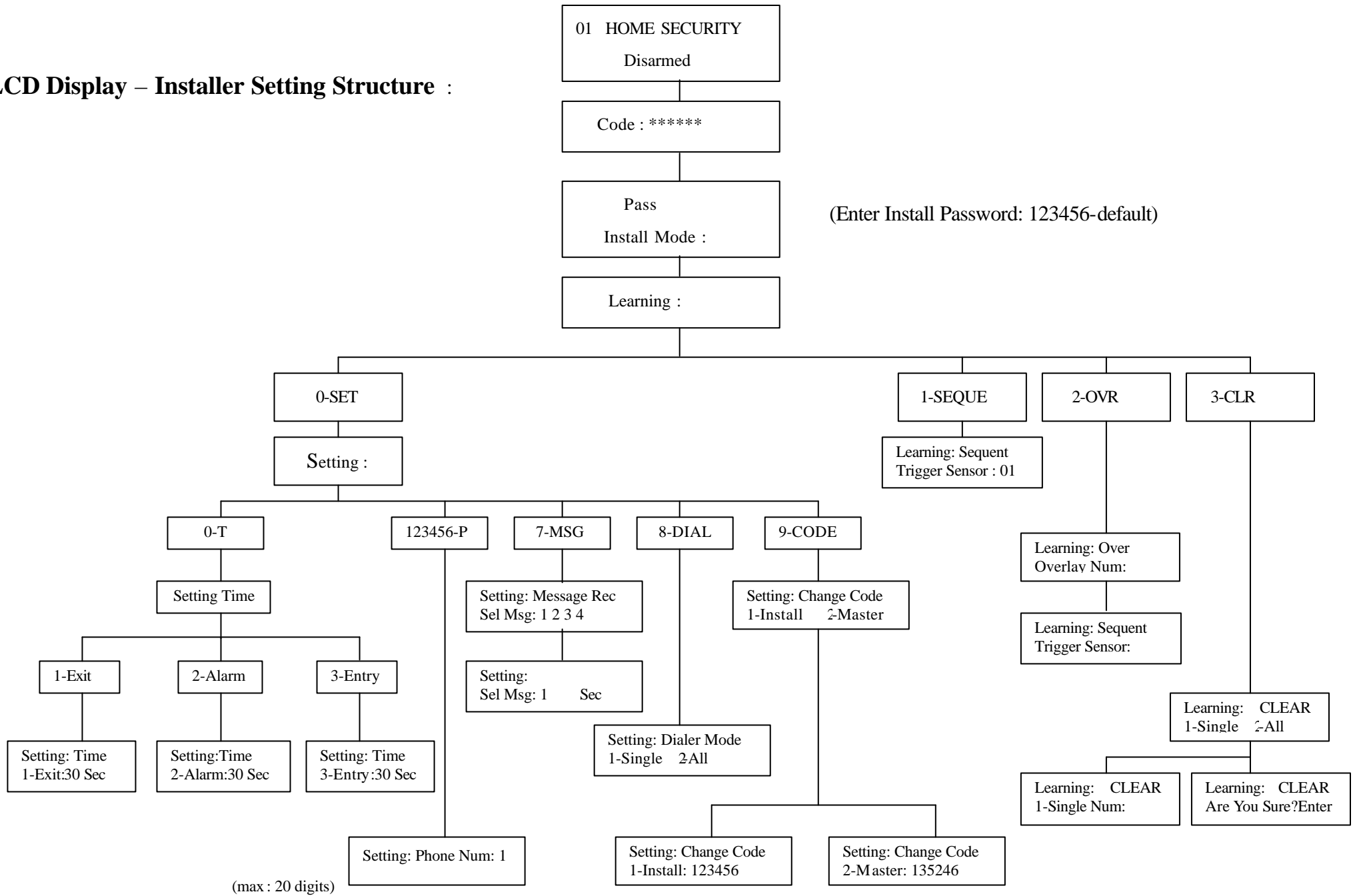
Learn No.	Install Place	Position	Comment	Learn No.	Install Place	Position	Comment
05	2F-xx room	01					

Learn No.	Install Place	Position	Comment	Learn No.	Install Place	Position	Comment
01				33			
02				34			
03				35			
04				36			
05				37			
06				38			
07				39			
08				40			
09				41			
10				42			
11				43			
12				44			
13				45			
14				46			
15				47			
16				48			
17				49			
18				50			
19				51			
20				52			
21				53			
22				54			
23				55			
24				56			
25				57			
26				58			
27				59			
28				60			
29				61			
30				62			
31				63			
32							

LCD Display – Master Setting Structure



LCD Display – Installer Setting Structure :



(max : 20 digits)

LCD Display – Checking Mode Structure

Press **CHECK** Button

